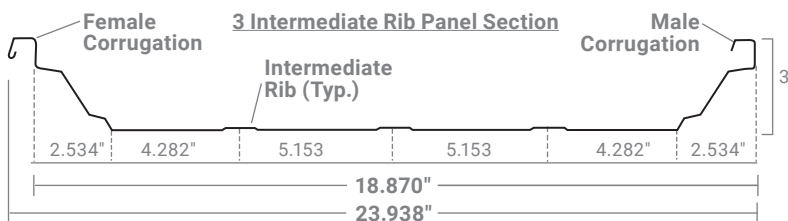
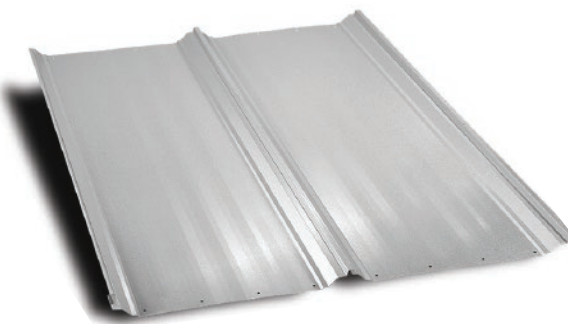


TS-324™ TRAPEZOIDAL PANEL



Contact your sales representative for more information.



Description

The TS-324™ Trapezoidal Panel is a structural metal roofing panel that provides superior wind and weather protection under all roof loading conditions. Typically installed over open framing, the trapezoidal profile maintains its structural integrity with panel coverage of 24". Its ¼:12 minimum slope recommendation is the lowest of all metal roofing profiles offered.

Specifications

- Trapezoidal standing seam panel utilizing sliding clips and structural accessories for roof applications
- Mechanically seamed ribs
- Minimum slope recommendation= ¼:12
- Suitable for open framing

Substrates and Coatings

- 24 and 22 gauge high strength steel.
- Anti-corrosion AZ50 Galvalume® coating for painted and AZ55 for unpainted steel.
- 24 and 22 ga available in PVDF (Kynar 500 or Hylar 5000) Paint System.
- 35-Year PVDF Written Paint Warranty with No Coastal Set Back on 26 and 29 gauge. (Note: 24 gauge does not apply to no coastal set back.)

Finish Options

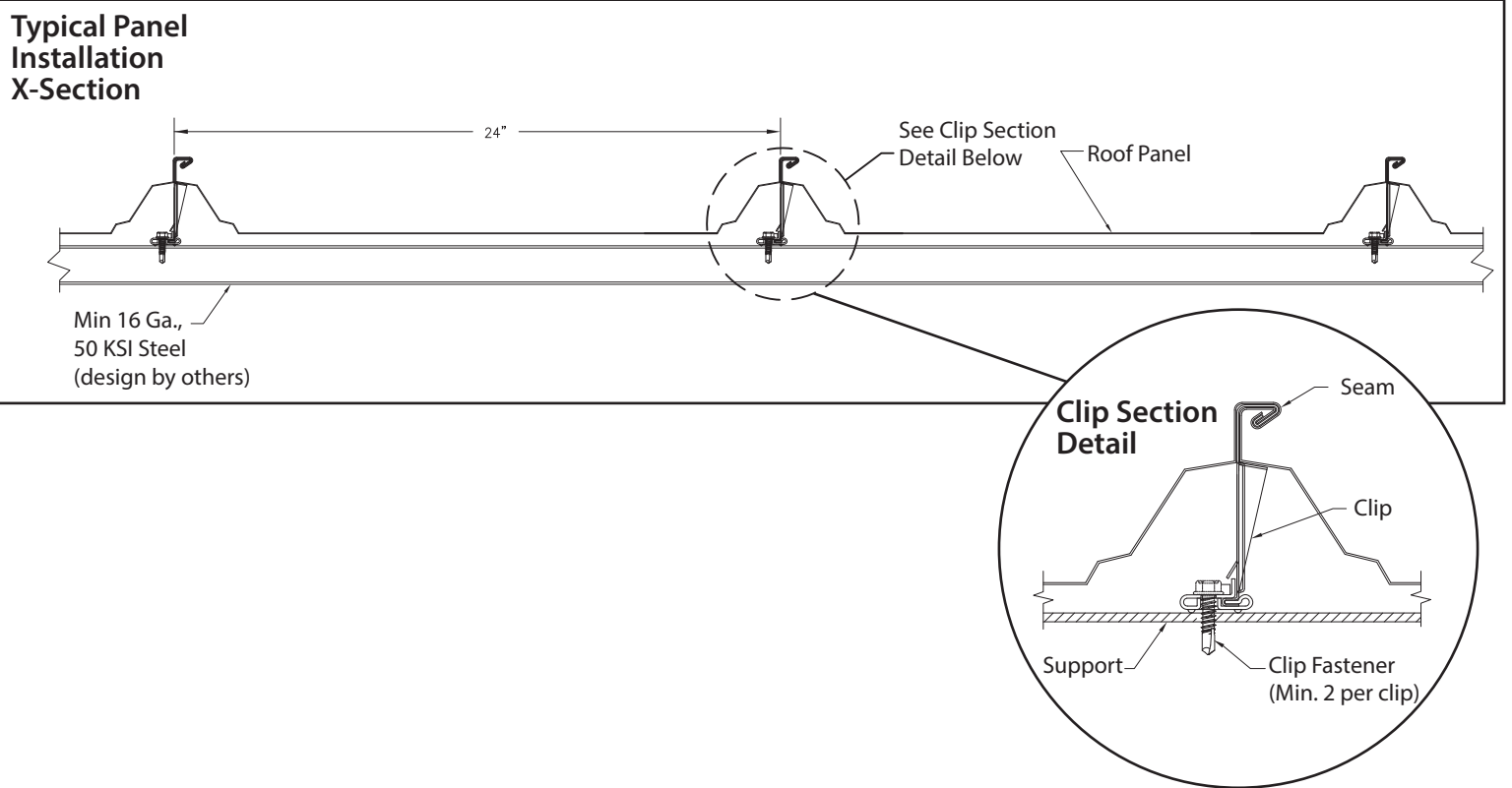
- Bare Galvalume® (with protective clear acrylic coating)
- PVDF Fluoropolymer (Kynar 500®) finish for 24 gauge, 22 gauge

Approvals and Certifications

- Metal Construction Association Certified
- Florida Building Code Approved
- Energy Star Certified
- Highest UL Ratings for Wind Uplift, Fire and Impact Resistance
- No Coastal Set Back



PANEL DETAILS



CERTIFICATIONS & TESTING

- ASTM E-1592 Wind uplift
- ASTM E-1646 Water Infiltration
- ASTM E-1680 Air Leakage
- ASTM E-2140 Hydrostatic Head Resistance

Florida Building Code Approved:

- TS-324 FL9555.9 R5TS-324 FL9555.9 R5_24 or 22 Gauge over Open Steel Section

INSTALLATION

MPS 600 or BA clips with minimum (2) 1/4"-14 x 1-1/2" SDS per clip at each support. Clips and fasteners are corrosion resistant as per FBC 2020 Section 1506.7 and 1507.4.4, respectively.

BEFORE BEGINNING INSTALLATION OF THIS PRODUCT, CHECK LOCAL BUILDING CODES.

** For more information, call (800) 581-4645 or visit our website at www.reedsmetals.com **